

# Single Phase Digital kWh Meter BS 1PH

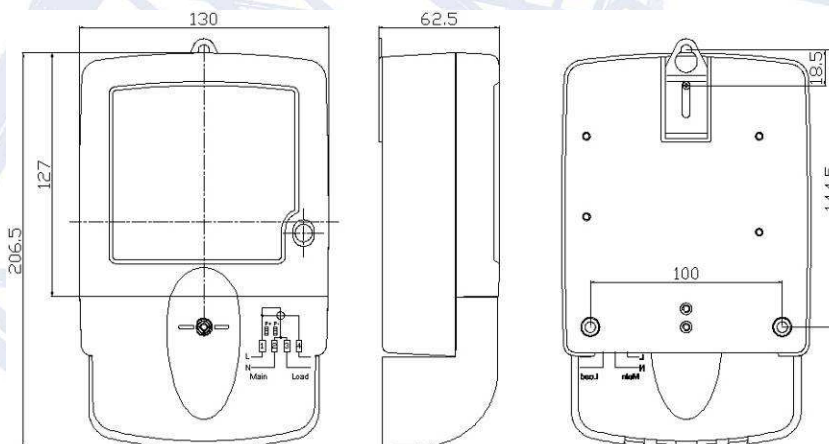


The BS 1PH is a digital electronic single phase meters with BS standard terminals. Its features include, low power consumption, high accuracy, long life, and conforms to IEC and BS standard. Functions include measurement of active energy where any reverse energy will be added to positive energy, 6+2 digit LCD display, back light, energy Reset (only with open seal). Optional features include, Din terminals, impulse output, 500mT magnetic immunity, communication port and anti-tamper LED's.

## Technical.

Accuracy Class:	1.0, 2.0
Rating Voltage:	240V (80%~115%)
Frequency:	50Hz or 60Hz
Operating Temperature:	-25 ~ 60 deg C
Storage Temperature:	-25 ~ 75 deg C
Average Annual Humidity:	≤75%
30 days Humidity:	≤95%
Insulation:	6 or 10kV

Specification	Pulse Data (Imp/kWh)	Power Consumption	
		Class 1.0	Class 2.0
2.5(10)A	6400	Voltage Circuit: 2W,10VA Current Circuit: 4.0VA	
5(20)A	3200		
5(30)A	3200		
10(40)A	1600		
15(60)A	800		
20(80)A	800		
10(100)A	800		



Version 2.1

Technical Specifications subject to change without prior notice