

# Smart Three-phase Whole Current Meter (SWC3)

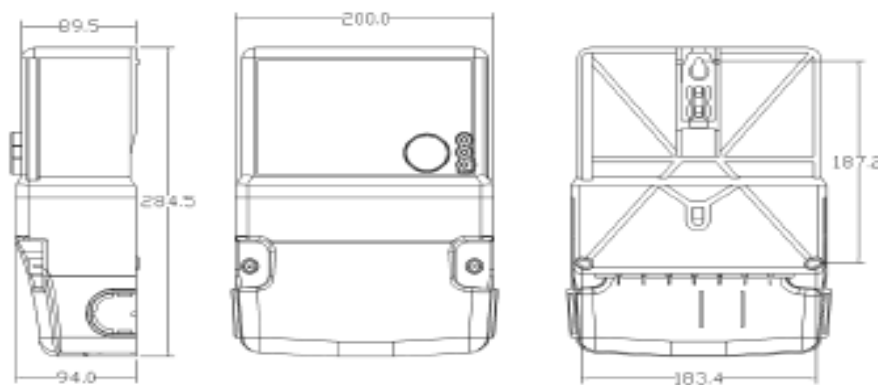


The Smart Three Phase Whole Current Meter SWC3 three-phase four-wire meter is a multifunctional tamper-proof electronic Smart energy meter with impulse output, large LCD display, backlight, optical and IrDA Baud Rate communication, event detection and load profiling. Its features include active, reactive, apparent energy measurement, maximum demand, TOU with up to 8 tariffs, load profiles, tamper events, and instantaneous measurement of voltage, current, frequency, power factor and power. The SWC3 can be switched from Credit to Prepayment operation.

Designed in accordance with IEC 62052-21, IEC 62053-21, IEC62052-11

## Technical:

Type:	Three-phase four-wire, direct connection & CT version
Accuracy:	Class 1 (option 0.5) for active energy i.a.w IEC62053-21 Class 2 (option 1) for reactive energy
Reference Voltage:	3x230V/400V±20%
Reference Frequency:	50Hz or 60Hz
Current I <sub>B</sub> (I <sub>max</sub> ):	10 (100)A, versions up to 160A.
Starting Current (I <sub>b</sub> %):	<=0.1% I <sub>n</sub>
Meter Constant:	400 imp/kWh,
Internal Tariff Source:	Up to 8 tariffs
Output:	LED pulse output
Communication Interface:	Optical port (According to IEC62056-21/IEC61107 Mode C) Pluggable internal GPRS
Burden Voltage Circuit:	<1W, < 2.5VA per phase
Burden Current Circuit:	<0.1VA
Insulation Property:	Protection class II
Battery Life Time:	>=15 years
Internal Real Time Clock Accuracy:	<= 0.5 sec/day @ 23°C
Operating Temperature:	-25°C to 70°C
Storage Temperature:	-40°C to 85°C
Relative Humidity:	up to 90%
Protection Rating:	IP 51 Option IP54
Weight:	2.5KG
Dimensions:	284.5x200x89.5mm



Version 1.0

Technical Specifications subject to change without prior notice

Unit 4, Vale Enterprise Centre, Hayes Road, Sully, Vale of Glamorgan CF64 5SY Great Britain

Tel: 0044 1446 743377

Fax: 0044 5601 258134

Email: sales@kigg.com

website: www.kigg.com